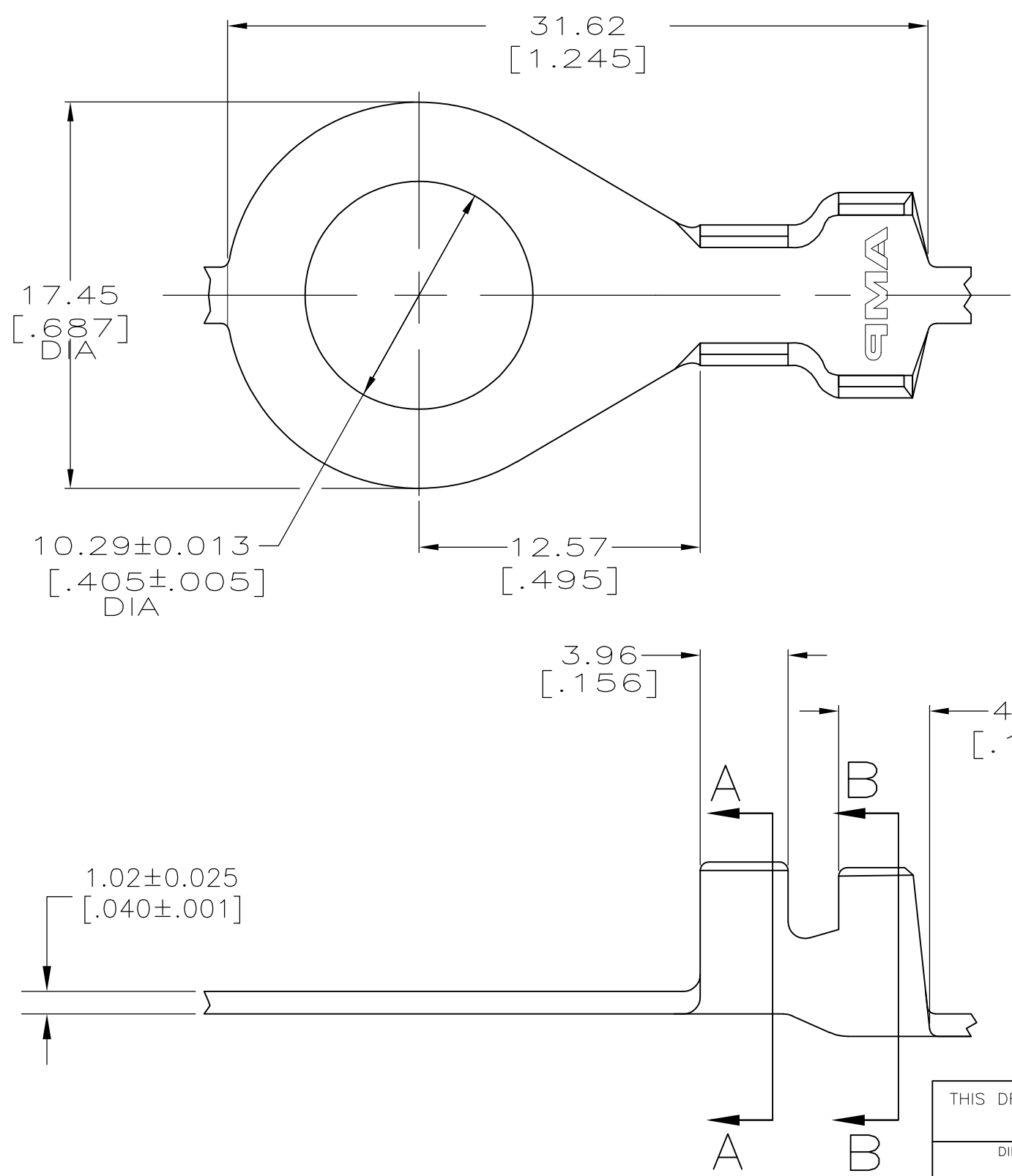
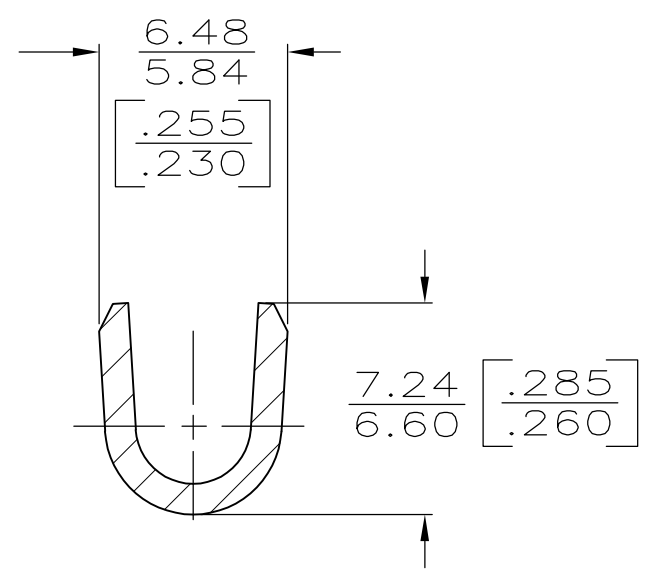


THIS DRAWING IS UNPUBLISHED. RELEASED FOR PUBLICATION
 © COPYRIGHT BY TYCO ELECTRONICS CORPORATION. ALL RIGHTS RESERVED.

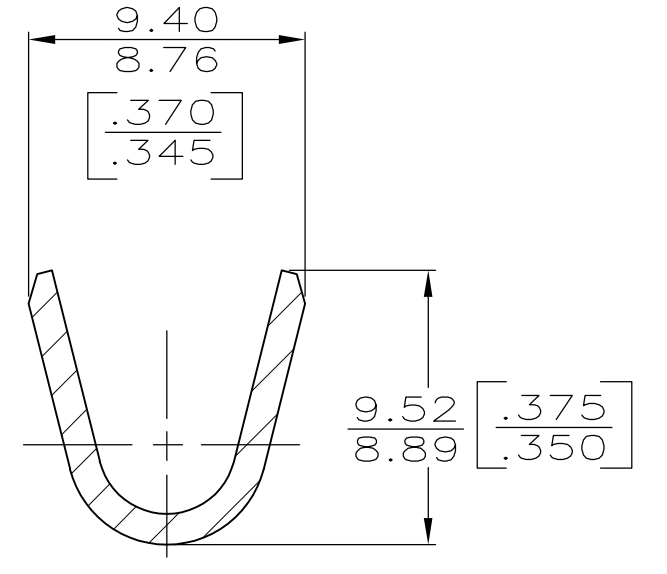
LOC	DIST	REVISIONS			
P	LTR	DESCRIPTION	DATE	DWN	APVD
AF	50	P			
		P	REVISED PER ECR-10-006099	07JUL10	HMR PD



- CONTINUOUS STRIP ON REEL.
- 0.00381-0.00635 [.000150-.000250] TIN PLATE PER MIL-T-10727 OVER 0.00127 [.000050] MIN NICKEL UNDERPLATE PER QQ-N-290.
- WIRE RANGE IS 12-8 AWG
- INSULATION RANGE IS 3.81-5.59 [.150-.220] DIA



SECTION A-A



SECTION B-B

△ 2	42947-3
TIN	42947-2
FINISH	PART NO.

THIS DRAWING IS A CONTROLLED DOCUMENT.		DWN 25/JAN/96 PHILLIP M FORTNEY	Tyco Electronics Corporation Harrisburg, PA 17105	
DIMENSIONS: INCHES		CHK 25/JAN/96 JEFF R RUTH	NAME	
TOLERANCES UNLESS OTHERWISE SPECIFIED:		APVD 25JAN96 MARK BARNABA	RING	
0 PLC ± -	1 PLC ± -	PRODUCT SPEC	SIZE	CAGE CODE
2 PLC ± 0.25 [.010]	3 PLC ± -	APPLICATION SPEC	00779	DRAWING NO
4 PLC ± -	ANGLES ± -	WEIGHT	C-42947	
MATERIAL 082 BRASS	FINISH SEE TABLE	CUSTOMER DRAWING		RESTRICTED TO
		SCALE 4:1	SHEET 1 OF 1	REV P